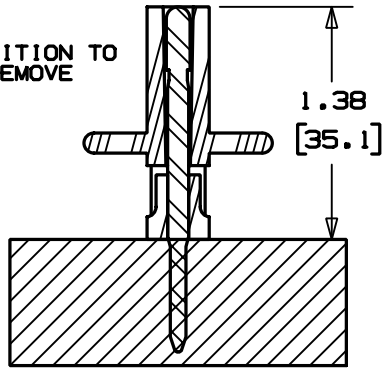


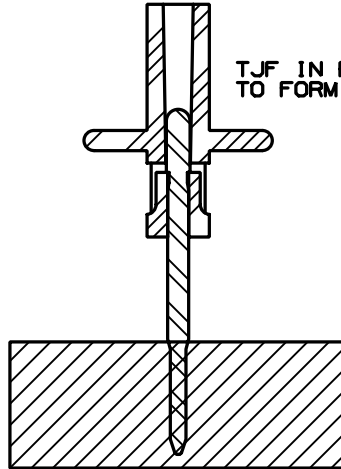
THIS COPY IS PROVIDED ON A RESTRICTED BASIS AND IS NOT TO BE USED IN ANY WAY DETRIMENTAL TO THE INTERESTS OF PANDUIT CORP.

SECTION A - A

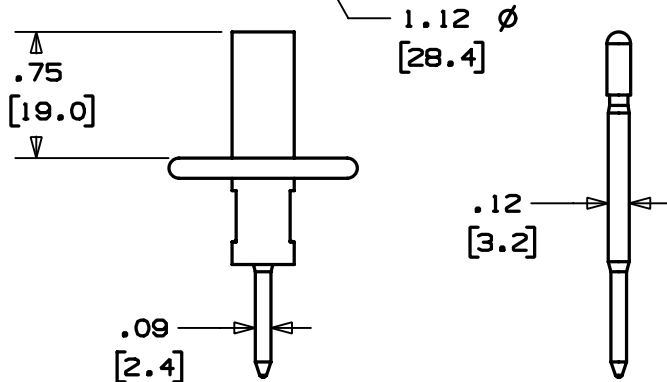
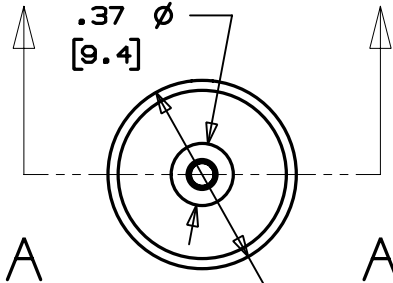
TJF IN POSITION TO TIE AND REMOVE HARNESS



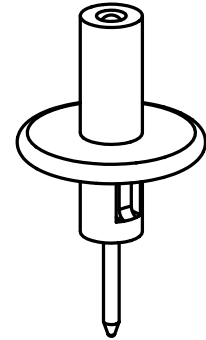
TJF IN POSITION TO FORM HARNESS



PANDUIT PART NO. *	WEIGHT lbs / 10 (g) / pcs
TJF - _	0.16 (72.6)



NOTES:
1. SEE CURRENT PRICE SHEET FOR PART NUMBER SUFFIX DESIGNATION FOR PACKAGE SIZES.



DIMENSIONS IN BRACKETS ARE METRIC [mm]	
CAD FILENAME/LAYER: G00239KP_PB_TJF_00	
PANDUIT CORP. TINLEY PARK, ILLINOIS	
T - JUNCTION FIXTURE TJF - _	
UNLESS OTHERWISE SPECIFIED, DIMENSIONAL TOLERANCES ARE: (.X) ±0.05 [1.3] (.XXX) ±0.010 [0.25] (.XX) ±0.02 [0.5] ANGLES ± 5°	UNLESS OTHERWISE SPECIFIED, ALL DIMENSIONS ARE GIVEN IN INCHES, THIRD ANGLE PROJECTION.
DRAWN BY JAD	MAT'L: NYLON 6/6 COLOR: BLACK
DATE 8/12/03	SCALE FULL
DRW'D	DWG NO. G00239KP
	DWG SIZE A

R	8/12/03	JAD		INITIAL RELEASE, REPLACES SS16981	G00239KP	R			
REV	DATE	BY	CHK	DESCRIPTION	ECN	- R	CUST	SUP	